

# IRMA

## what's where

**1 Opening buttons** - each button opens the side of the purse on the right

**2 Alarm button** - when pulled, it triggers an alarm. to stop it, pull it again and hold until the light stops.

**3 Light button** - one press is to turn on the regular light, two for the dazzle light and holding for 1s and releasing will trigger the "horn". The third press turns the light off.

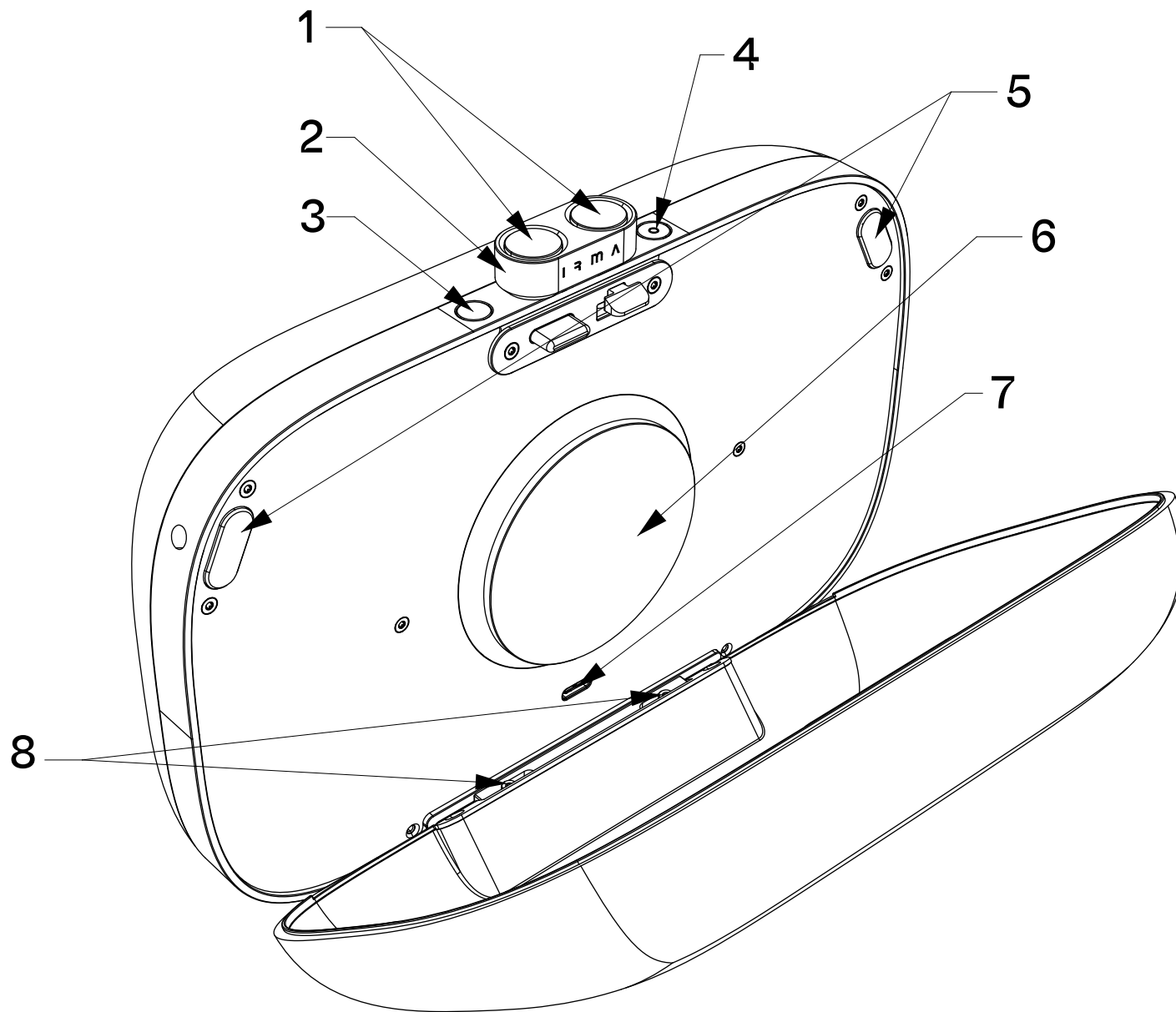
**4 Recharge button** - one press starts the recharge. The LED color shows the battery charge status of the handbag.

**5 The handle options button** - press to release the handle / strap. When replacing, make sure it clicks in correctly!

**6 MagSafe charging** - just attach your phone and press the recharge button.

**7 USB-C connector** for charging your handbag and external devices

**8 Shell change latches** - just squeeze them both together to change the shell. When putting the new shell on, check both "sliders" for proper engagement!



**IRMA**

[www.irmagard.com](http://www.irmagard.com)

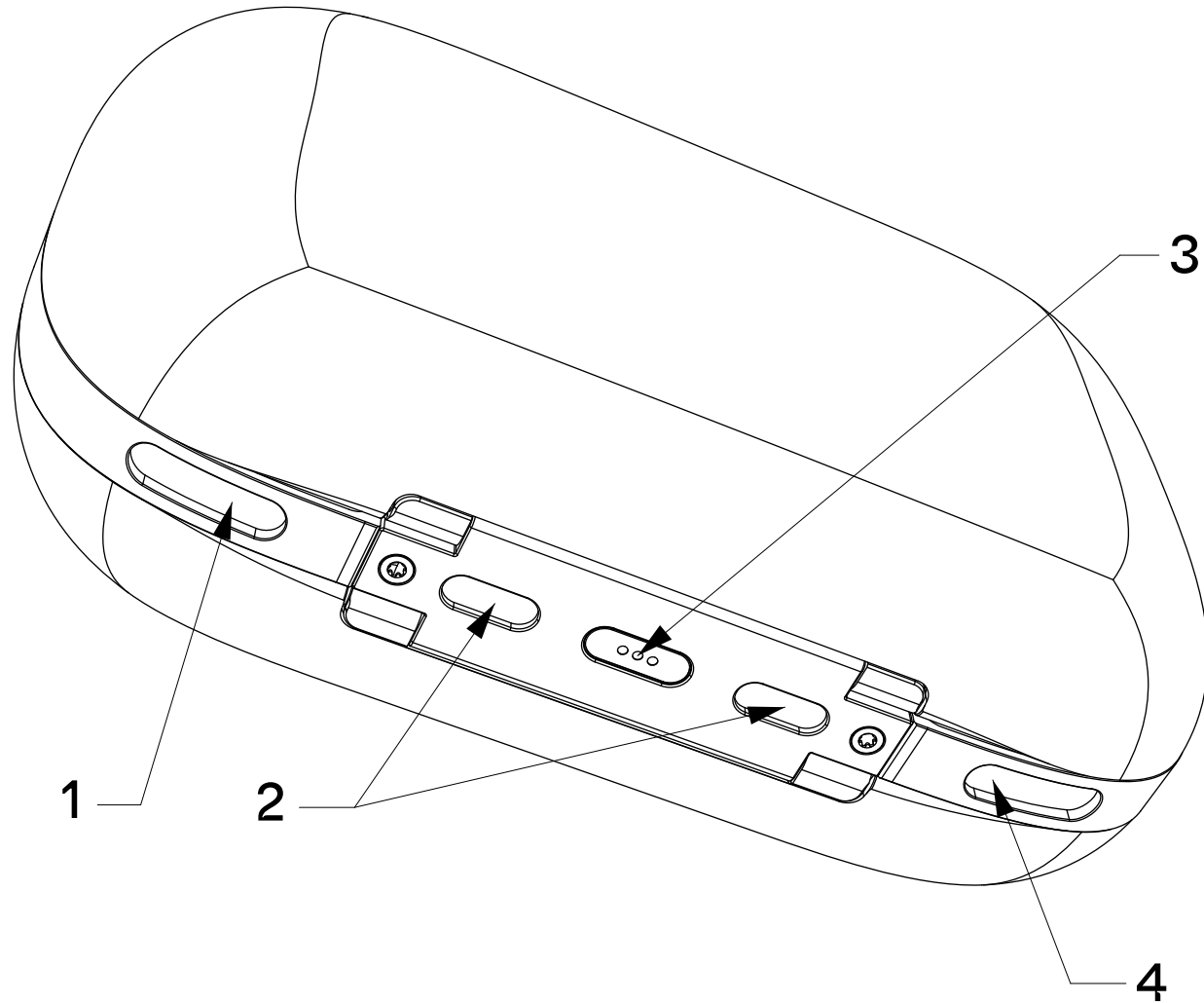
# IRMA

## what's where

**1,4 Sound outlets** - this is where IRMA screams and talks to you

**2 LED lights** - from here IRMA shines

**3 Magnetic charging connector,**  
the USB cable is attached.



**IRMA**

[www.irmagard.com](http://www.irmagard.com)